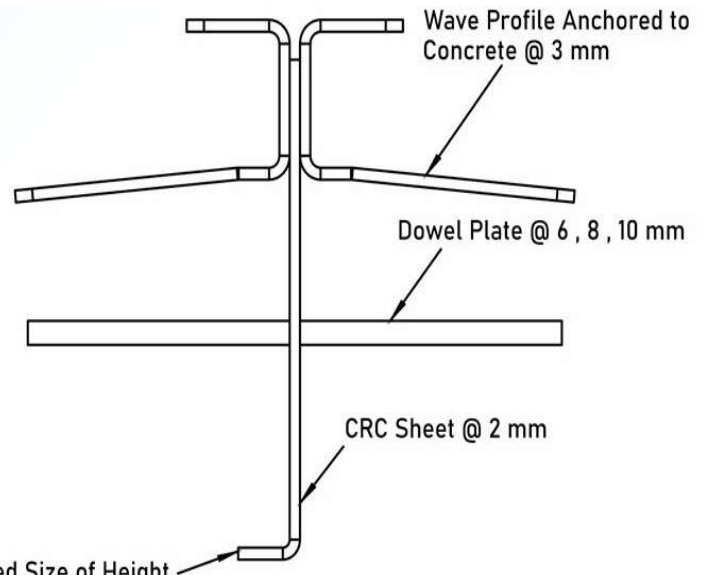
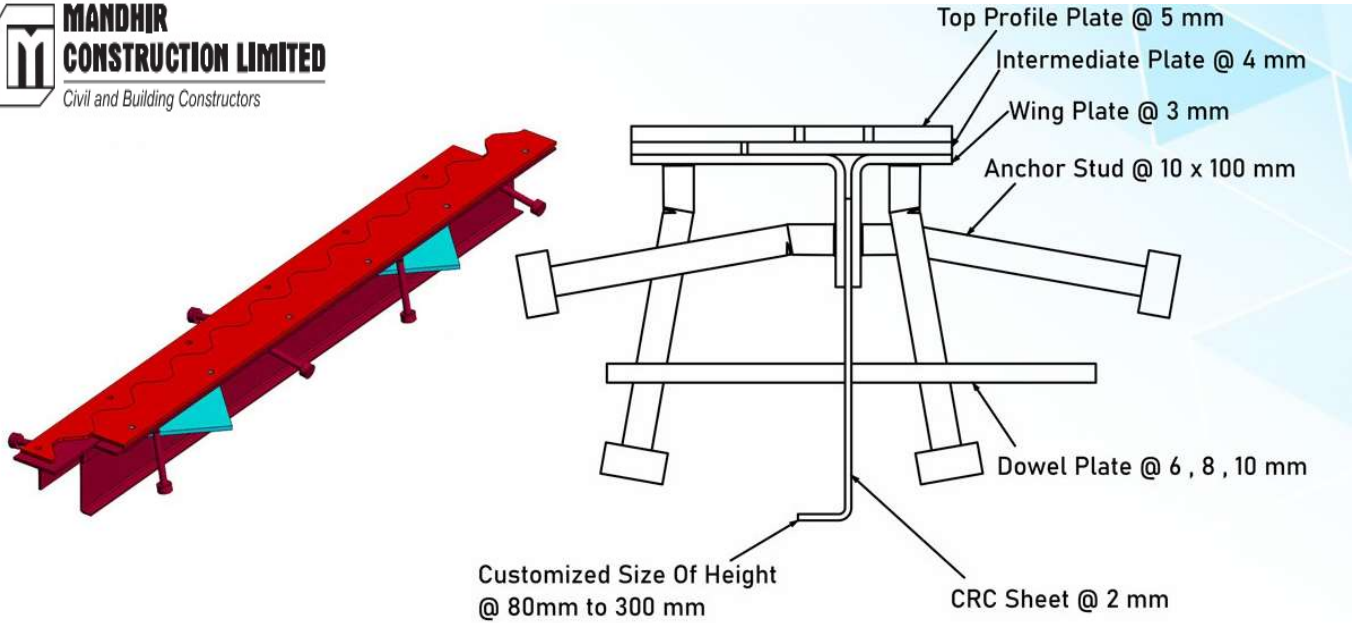


Customized Size of Height @ 80 to 300 mm

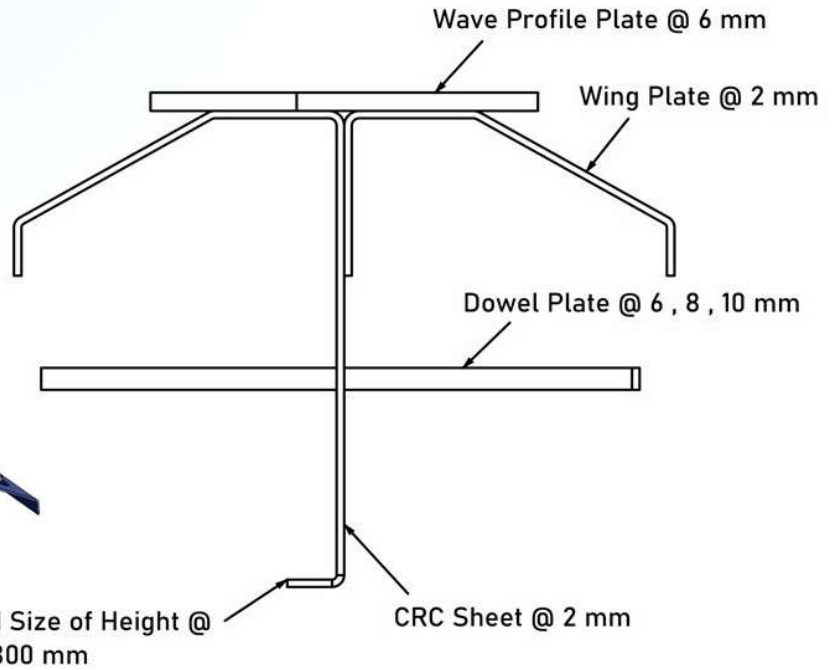
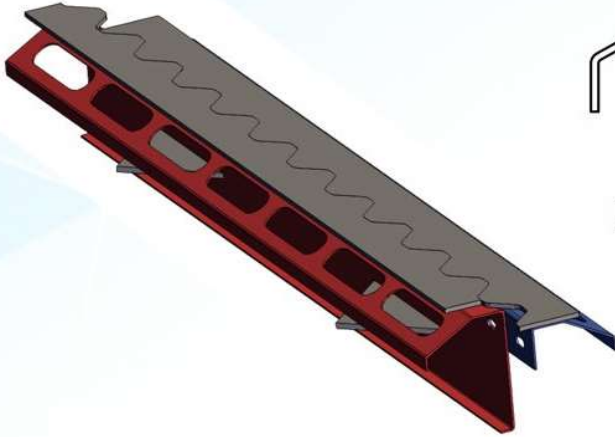
Classification	Property	Values
System	Overall Length	2480 mm ± 1mm
	Overall Depth	Fixed Joint Depth: 80 mm to 135 mm
		Adjustable Joint Depth: As per customer requirement..
		Fixed Joint Depth: 280 mm to 375 mm
Joint Arris Armoring	Material	Bright Strip: AISI1020
	Top Plate Thickness	3 mm ± 0.5 mm
	Straightness	0.5 mm in 1000 mm
CRC Sheet Steel Formwork	Material	BS EN 1030:2006
	Thickness	2.00 mm ± 0.2 mm
Dowel Plate	Material	BS 43B
	Thickness	6 x 110 x 110 mm ± 0.5 mm
	Spacing	495 mm ± 0.5 mm
Sleeve	Material	ABS



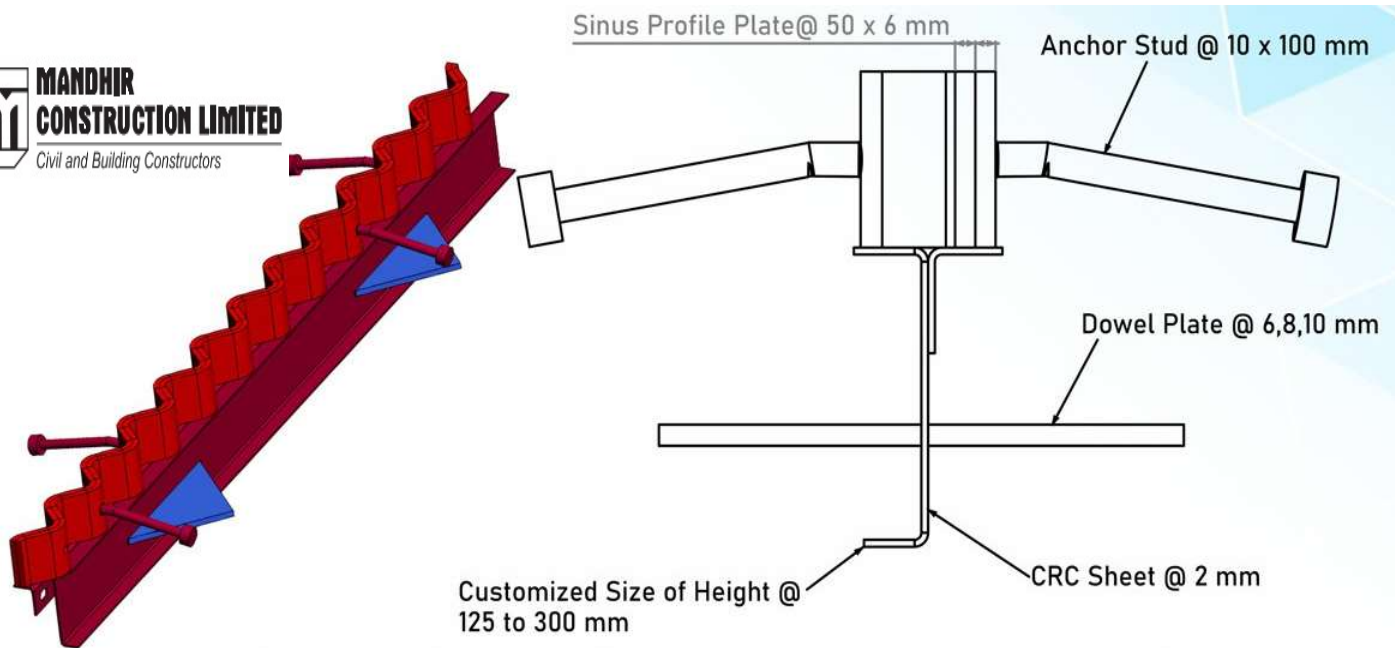
Classification	Property	Values
System	Overall Length	2480 mm ± 1mm
	Overall Depth	Fixed Joint Depth: 80 mm to 135 mm
		Adjustable Joint Depth: As per customer requirement.
		Fixed Joint Depth: 280 mm to 375 mm
Joint Aris Armoring	Material	Bright Strip: AISI1020
	Top Plate Thickness	3 mm ± 0.5 mm
	Straightness	0.5 mm in 1000 mm
CRC Sheet Steel Formwork	Material	BS EN 1030:2006
	Thickness	2.00 mm ± 0.2 mm
Dowel Plate	Material	BS 43B
	Thickness	6 x 110 x 110 mm ± 0.5 mm
	Spacing	495 mm ± 0.5 mm
Sleeve	Material	ABS



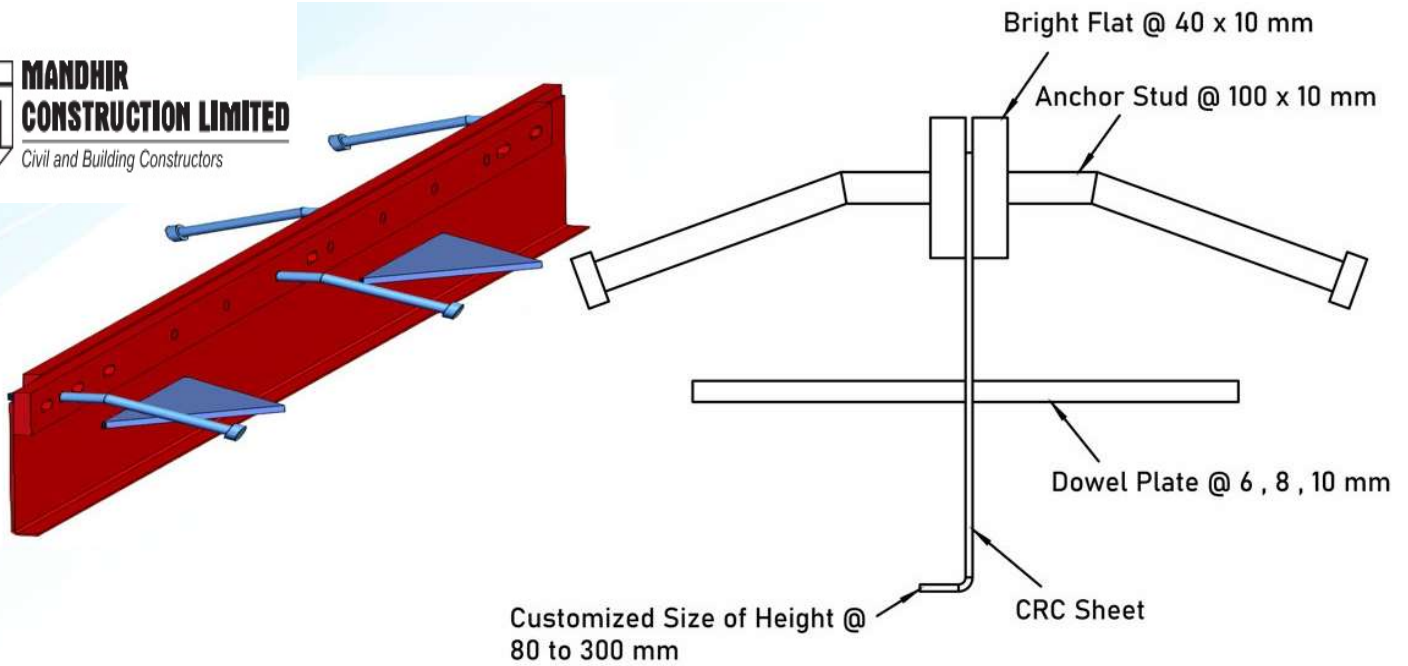
Classification	Property	Values
System	Overall Length	2480 mm ± 1mm
	Overall Depth	Fixed Joint Depth: 80 mm to 135 mm
		Adjustable Joint Depth: As per customer requirement.
		Fixed Joint Depth: 280 mm to 375 mm
Joint Arris Armoring	Material	Bright Strip: AISI1020
	Top Plate Thickness	5 mm ± 0.5 mm
	Middle Plate Thickness	4 mm ± 0.5 mm
	"L" Angle Thickness	3 mm ± 0.5 mm
	Straightness	0.5 mm in 1000 mm
Shear Stud Anchor	Material	EN 13918:2007
	Length	100 mm ± 0.5 mm
	Diameter	10 mm ± 0.5 mm
CRC Sheet Steel Formwork	Material	BS EN 1030:2006
	Thickness	2.00 mm ± 0.2 mm
Dowel Plate	Material	BS 43B
	Thickness	6 x 110 x 110 mm ± 0.5 mm
	Spacing	495 mm ± 0.5 mm
Sleeve	Material	ABS



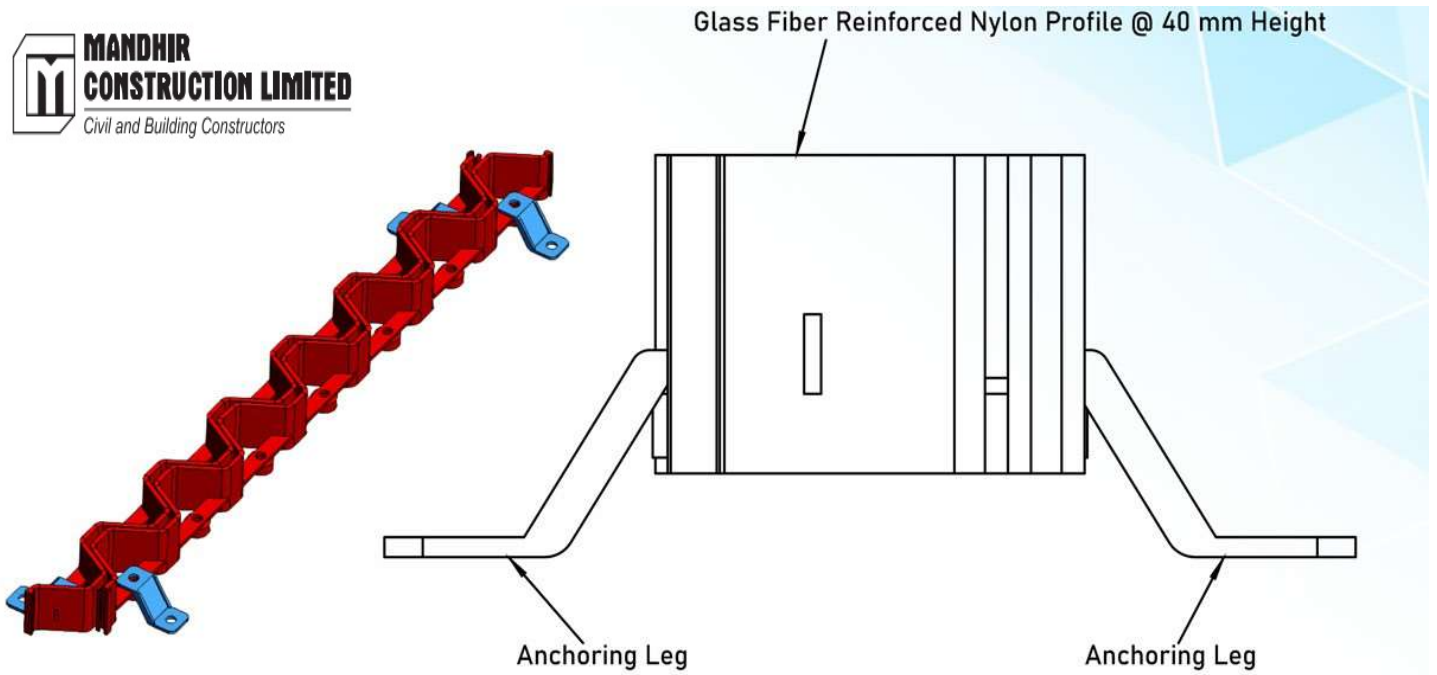
Classification	Property	Values
System	Overall Length	2480 mm \pm 1mm
	Overall Depth	Fixed Joint Depth: 80 mm to 135 mm
		Adjustable Joint Depth: As per customer requirement
		Fixed Joint Depth: 280 mm to 375 mm
Joint Arris Armoring	Material	Bright Strip: AISI1020
	Top Plate Thickness	5 mm \pm 0.5 mm
	Straightness	0.5 mm in 1000 mm
CRC Sheet Steel Formwork	Material	BS EN 1030:2006
	Thickness	2.00 mm \pm 0.2 mm
Dowel Plate	Material	BS 43B
	Thickness	6 x 110 x 110 mm \pm 0.5 mm
	Spacing	495 mm \pm 0.5 mm
Sleeve	Material	ABS



Classification	Property	Values
System	Overall Length	2480 mm ± 1mm
	Overall Depth	Fixed Joint Depth: 80 mm to 135 mm
		Adjustable Joint Depth: As per customer requirement.
		Fixed Joint Depth: 280 mm to 375 mm
Joint Arris Armoring	Material	Bright Strip: AISI1020
	Height	50 mm ± 0.5 mm
	Thickness	6 mm ± 0.5 mm
	Straightness	0.5 mm in 1000 mm
Shear Stud Anchor	Material	EN 13918:2007
	Length	100 mm ± 0.5 mm
	Diameter	10 mm ± 0.5 mm
CRC Sheet Steel Formwork	Material	BS EN 1030:2006
	Thickness	2.00 mm ± 0.2 mm
Dowel Plate	Material	BS 43B
	Thickness	6 x 110 x 110 mm ± 0.5 mm
	Spacing	495 mm ± 0.5 mm
Sleeve	Material	ABS



Classification	Property	Values
System	Overall Length	2480 mm ± 1mm
	Overall Depth	Fixed Joint Depth: 80 mm to 135 mm ± 2 mm
		Adjustable Joint Depth: As per customer requirement
		Fixed Joint Depth: 280 mm to 375 mm
Joint Arris Armoring	Material	Bright Strip: AISI1020
	Height	40 mm ± 0.5 mm
	Thickness	10 mm ± 0.5 mm
	Straightness	0.5 mm in 1000 mm
Shear Stud Anchor	Material	EN 13918:2007
	Length	100 mm ± 0.5 mm
	Diameter	10 mm ± 0.5 mm
CRC Sheet Steel Formwork	Material	BS EN 1030:2006
	Thickness	2.00 mm ± 0.2 mm
Dowel Plate	Material	BS 43B
	Thickness	6 x 110 x 110 mm ± 0.5 mm
	Spacing	495 mm ± 0.5 mm
Sleeve	Material	ABS



Material: Glass Reinforced Nylon (GRN)

Classification	Property	Values
System	Overall Length	625 mm ± 1mm
	Overall Depth	Fixed Joint Depth: 40 mm
Joint Arris Armoring	Material	Glass Reinforced Nylon (GRN)
	Height	40 mm ± 0.5 mm
	Thickness	4 mm ± 0.5 mm
	Weight	410 Gram

**RECTANGULAR ABS
SLEEVE AND PLATE**



SIZE - 150 X 100 X 6,8,10 MM

**DIAMOND ABS
SLEEVE AND PLATE**



SIZE - 110 X 110 X 6,8,10 MM



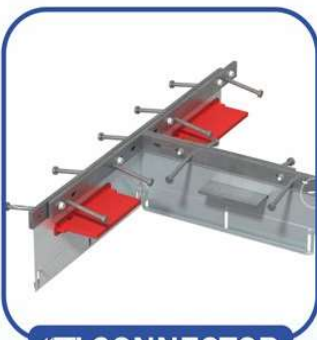
JACK



PLUS CONNECTOR



"L" CONNECTOR






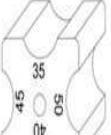


"T" CONNECTOR



STUDS



PP NUT AND BOLT

SR NO	PRODUCT	PRODUCT CODE	COVER SIZE	BREAKING LOAD	APPLICATION	PACKING	CONSUMPTION NORMS
			MM	KN		Nos Per Pack	Nos.
1		API-15	15	9	Slab	800	4 per sqm
2		API-2025	20-25	11	Slab	250	4 per sqm
3		API-3040	30-40	8	Slab & Floor	250	4 per sqm
4		API-3050	30-40-45-50	10	Column & Beam	200	4 per mtr. For Column & 6 per mtr for Beam
5		API-50	50	14	Footing	200	4 per sqm
		API-60	60	14	Footing	150	4 per sqm
		API-75	75	14	Footing	100	4 per sqm
6		API-30R	30	NA	Column & Beam	150	4 per every 2 mtr
		API-40R	40	NA	Column & Beam	50	4 per every 2 mtr
		API-50R	50	NA	Pile & Pile Cap	30	4 per every 2 mtr
		API-75R	75	NA	Pile	20	4 per every 2 mtr